

**ATCS-50**

( URL )

Audio-Technica Greater China Limited )

(

# ATCS-50

1.1	.....	3
1.2	.....	3
2.1	.....	5
2.2	.....	6
2.2.1	.....	6
2.2.2	.....	7
2.2.3	.....	7
2.3	.....	8
2.4	.....	9
2.5	.....	10
2.5.1	.....	10
2.5.2	.....	10
3.1	.....	11
3.2	ID .....	11
3.3	.....	12
3.4	.....	12
3.4.1	.....	12
3.4.2	.....	13
3.4.3	.....	13
3.5	.....	14
3.5.1	.....	14
3.5.2	.....	14
3.5.3	.....	14

4.1	.....	15
4.1.1	(            ).....	15
4.1.2	(            ).....	15
4.1.3	.....	16
4.1.4	.....	16
4.1.5	(ATCS-M55    ).....	17
4.1.6	(ATCS-M55    ).....	17
5.1	.....	18
5.1.1	.....	18
5.1.2	.....	18
5.2	.....	18
6.1	.....	19
6.2	.....	19
6.3	.....	19
6.4	.....	19
6.5	.....	20
7.1	.....	21
7.2	.....	21



1.2

1.1

\*

\*

\*

\*

-

-

-

-

-

-

-

-

-

) ( ) (

( )

) 4 ( ) 3 (

( )

6 [ ] [ ] [ ] [ ]

( )

-

- ( ) LED

- ( ) LED

- ( )

- ( )

- ( )

- ( ) ( )

-

-2

2

-

- ( )

- / / ( )

- ( )

2.1



-

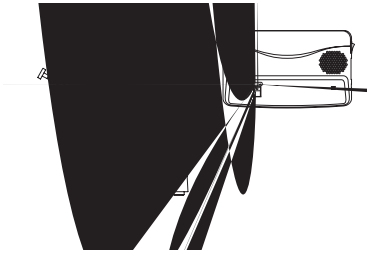
-

-

-

## 2.2

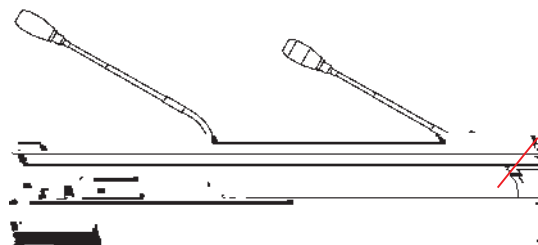
### 2.2.1



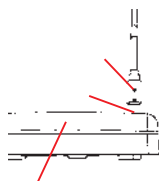
-	-				
-	-				
-		-			
-		-			
-					
-	[ /1]	-	[ ]		1
-	[ /2]	-	[ ]		2
-	[ /3]	-	[ ]		3
-	[ /4]	-			4
-	[ /5]	-			5
-		-			
-		-			
-				1 2	
-		-			
-		-	ID		



2.2.2

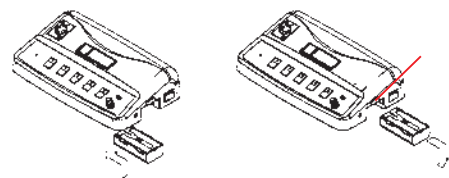


- 
- 
- " "
- \*



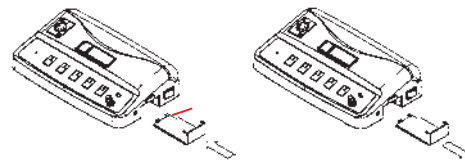
- 
- 

2.2.3

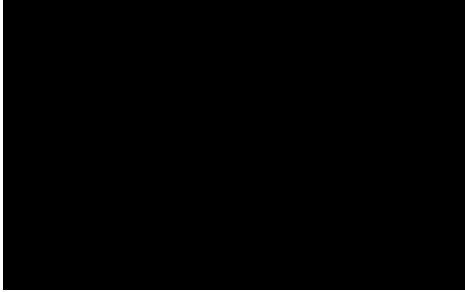


- 
- 
- 
- 
- 

( )

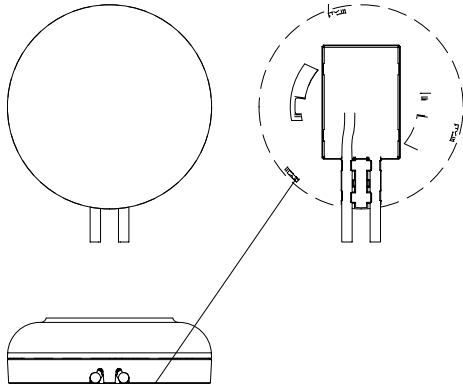


- 
- 
- \*
- \*
- 
-



## 2.4

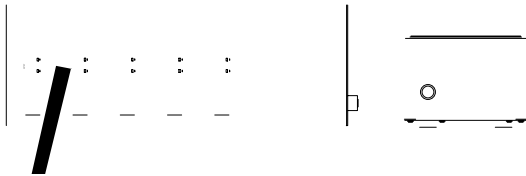
### 2.4.1



- -            (    )
- -            (    )
- -            (    )
- -
- -

## 2.5

### 2.5.1

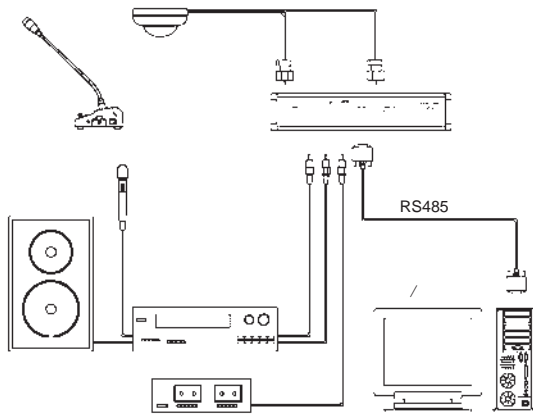


- -

- -  
- -  
\* -

- 1A
- 220V
- Ø5.2 x 20mm

3.1



\*  
(Rx, Tx)

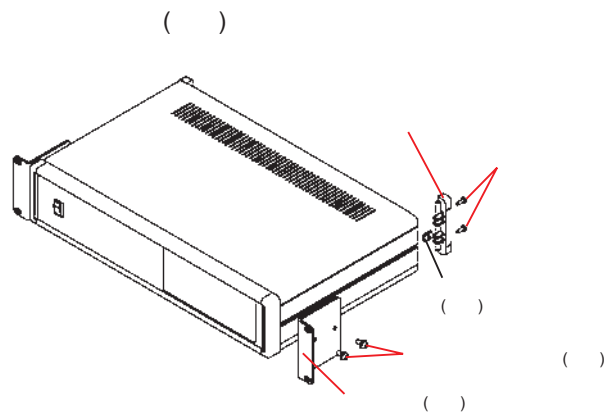
\*  
F

3.2 ID



- 1. ID
- 2. ID 1 0
- (0-9)
- (0-9)
- [035]
- 3. ID
- 4. ID

### 3.3



-1.

-2.

-3.

-4.

-5.

-6.

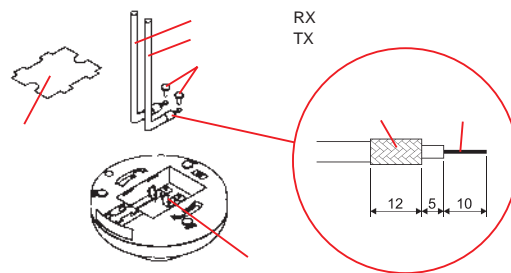
\*

( 2 )

( 2 )

### 3.4

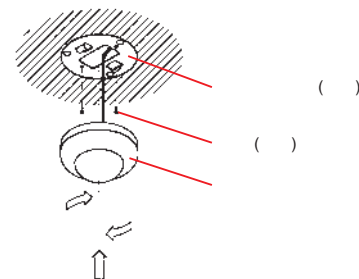
#### 3.4.1



-1.

-2.

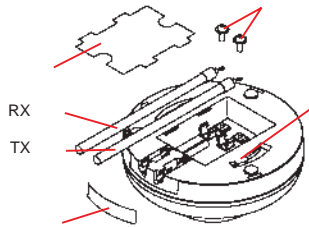
-3.



-4.

-5.

3.4.2



- 1.
- 2.
- 3.
- 4.
- 5.
- 6.

\*

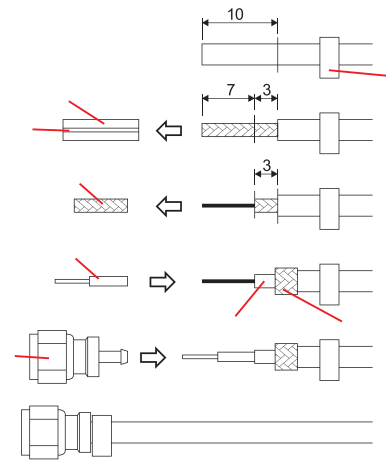
TX	-----	TX
RX	-----	RX

\*

\*

3.4.3

( )



- 1.
- 2.
- 3.
- 4.
- 5.

\*

3.5

h=2.0m	d=11.5m
h=2.5m	d=11.0m
h=3.0m	d=10.2m

3.5.1

-

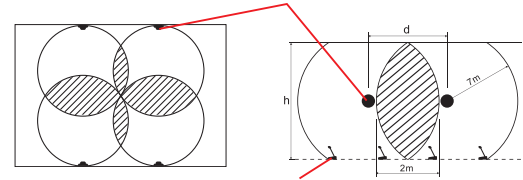
-

-

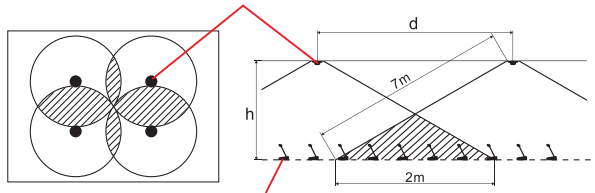
-

-

3.5.3



3.5.2



h=

d=

*	7m	150°
*	2m	
*		12m

h=

d=

\*

7m

150°

\*

2m



4.1

4.1.1 ( )

- ID 001



[ /4] [ /5]

- [ /4]

- ( )

- [ /5]

4.1.2 ( )

- ID 002 150  
149



[ /4] [ /5]

- [ /4]

- ( )

- 3 4

- 6

-

-

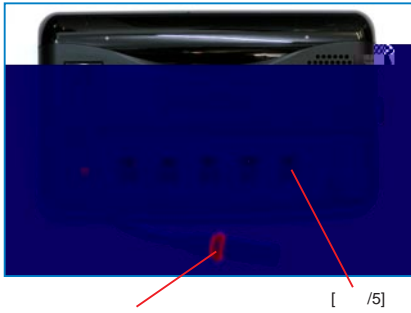
-

- [ /5]

4.1.3

-

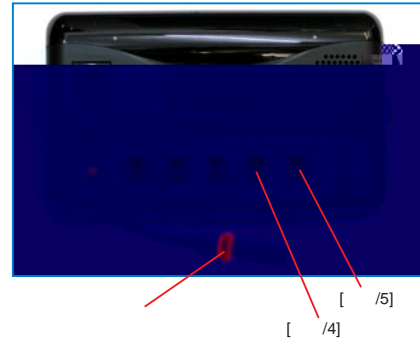
[ /5]



4.1.4

( )

- 主



-

[ /4] [ /5]

(

)

4.1.5 (ATCS-M55 )

- ID 001
- ID 002 150
- 149



- [TALK]

- 
- 
- 
- 
- 
- 

3 4

6

- [TALK]

4.1.6 (ATCS-M55 )

- [TALK]



5.2

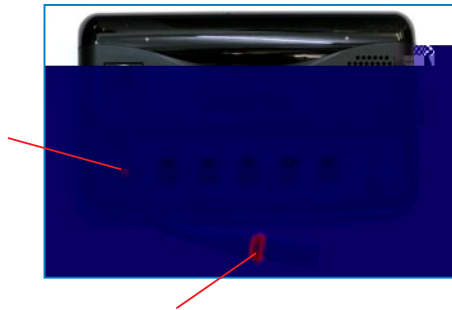
5.1 (ATCS-M55 )

5.1.1

- \*
- \* 5

5.1.2

- 1.
- 2.
- 3.



- 1. [ /4] (ATCS-M55 TALK )
- 2.
- 3.



[ /4]

\*

- 6.1
- a.
  - b. 1~3 MHz
  - c. FM
  - d. 4 / 2 / 1
  - e. 2400 bps
  - f. 7.4V 1600mAh  
12V 500mA ( )
  - g. 240 x 648 x 145mm (ATCS-M50)  
120 x 130 x 110mm (ATCS-M55)
  - h. 1 (ATCS-M50)  
550 (ATCS-M55)
  - i. (ATCS-M50)、

- 6.2
- a.
  - b. 1~3 MHz
  - c. FM
  - d. 4 / 2 / 1
  - e. 2400 bps
  - f. (-10dBV) 2

- g. (-10dBV) 2
  - h. (-10dBV) 2
  - i. 220V 50/60Hz
  - j. 430 x 88 x 280mm
  - k. 5.6
  - l. ID
- 6.3
- a. 1~3 MHz
  - b. 4 / 2 / 1
  - c. 12V
  - d. Ø108 x 56.4mm
  - e. 145
  - f. 、

- 6.4
- a. 220V 50/60Hz
  - b. 7.4V (UR-121)
  - c. 4
  - d. 10
  - e. -  
-
  - f. -

- g. 0 ~ 40°C
- h. 130 x 94 x 361.2mm
- i. 4.3

## 6.5

- UR-121
- ATCS-49Q
- ATCS-935/ML
- AD1210JW
- DME-3
- 10 ATCS-M50CSE



