



CSS8004/CSS8008/ CSS8018

100 mm (4 in) and 200 mm (8 in)
Commercial Series Ceiling Speakers for
Use with Pre-Install-Type Backcans.

CSS-BB4 CSS-BB8

CSS-TR4/8

Commercial Series

Key Features:

- ▶ Affordable, high-quality dual-ceramic ceiling speakers.
- ▶ Pre-assembled eaer/rafrer/grille assembly.
- ▶ Suitable for aging retro backgrnd uca lca, qudgreal re, reuara, chl, ad herfacle.
- ▶ Versatile range of a u u dle el, e e al a lper.
- ▶ Quality large rafrer (100V, 70V ad 25V).
- ▶ Pac f ece ca d d all ac aged ea er fr h g g - ac u a e b e.



JBL Commercial Series Ceiling Speaker design and backgrnd uca lca. High ac her d cl e r de a u u dle el, e e al a e g.

Model CSS8004 a 100 (4) ea er h 90 dB ad a 5-Wa ul -a rafrer.

Model CSS8008 a 200 (8) ea er h gh 96 dB, greaer ba e ha he CSS8004, ad a 5-Wa ul -a rafrer.

Model CSS8018 a h gher-er 200 (8) ea er, h er h gh 97 dB ad a larger 10-Wa ul -a rafrer.

The eaer-reached r le-lage rafrer r de eral b all g e 100V, 70V r 25V d r b ed l u d ea er l e.

The dr er feaure a ll 25 (1) da e er ce cl ha Ka c l-fr er ad h gh-e era re ref r be er er d a ad l g-er relabl.

Fr alla c e ce, he ea er grille ad rafrer are re-aached he dr er. Grille are ad, c-laed, cl-d r lled eel. The 200 (8) del feaure a adard 286 (11¼) b l -u g da e er. Ma ch g CSS bac ca are ade f c-laed eel h der-c a ed f h. CSS eel re-all bac ca ca be lled, red, ad ec ed r r alla f he ea er.

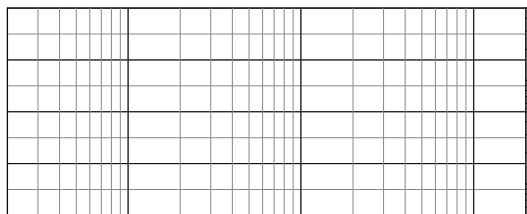
Loudspeaker Assemblies:

	CSS8004	CSS8008	CSS8018
(-)	()	()	()
(-)	9	9	9
(-)			9
()			
I			
	()	()	()
A		I, A9 & A,	I, 9, 9
	-	- ()	- ()
		- ()	- ()
		- ()	- ()
	()	()	()
I - -	()	()	()
()	9 ()	()	(9)
	9 ()	(9)	(9)
()	9 ()	()	()
()	()	9 ()	()
I A			

1 C u P N e Ra g (IEC- ha ed e ha 6 dB cre fac r, fr 100 hr c u l), 2.83V u le d.

JBL c u all gage re each r ead r d c r e . S e a eral, r d c eh d ad de g r e e are r d ced e g r d c hu ce a a r u e e re f ha hl h. Fr h rea a a r d JBL r d c a dffer e re ec fr u b hed de cr, u ll a a e u al r e ceed he r g al de g e c p a u l e her e a ed.

CSS8004/CSS8008/CSS8018 Commercial Series Ceiling Speakers



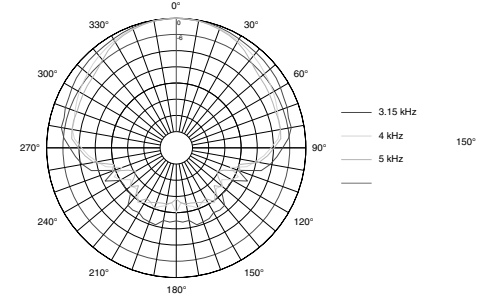
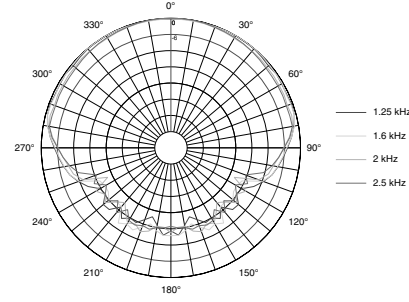
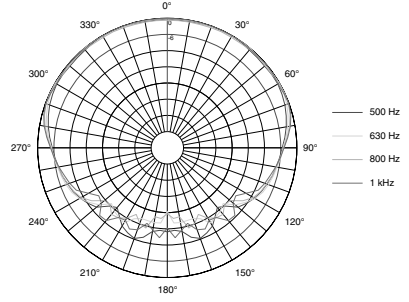
Coverage:

CSS8004

210°

30°

60°



► CSS8004/CSS8008/CSS8018 Commercial Series Ceiling Speakers

Dimensions:

CSS8004

